



Ermator

OPERATING INSTRUCTIONS

Dust Extractor

T7500

T8600

T10000

T15000

T18000

**READ ALL INSTRUCTIONS
BEFORE USING**

Introduction

Dear Customer.

Thank you for choosing Pullman Ermator as your supplier.

We hope that the dust extractor will be to your satisfaction and meet your expectations.

Pullman Ermator has been manufacturing professional dust extractors since 1967 and has over the years acquired a genuine technical knowledge in this area. We strive to improve in our product segment and will continue to supply the market with new equipment.

Notice!

These instructions are only for the dust Extractors T7500/T8600/T10000/T15000/T18000.

The dust Extractor can only be used with dry, non-explosive material.

Ermator will not be held responsible if the air cleaner is used for other applications or has been used in ways other than those outlined in this instruction manual.

Before using the machine, please read the safety regulations carefully.

Read the complete instruction manual before using the dust extractor.

All spare part used for the dust extractor must be those specified by Pullman Ermator.

Unpacking

When unpacking the machine, please check for damage and that the following accessories are included:

- The hose with end fittings

If any of above-mentioned parts are missing, please contact your local distributor or our sales representative.

Safety Instructions

Handling

Warning

- Cables damaged through crushing or splitting can be dangerous if used and should be replaced immediately. Risk of personal injury.

Warning

- Do not connect the machine to an unearthed socket. Risk of personal injury.

Warning

- Make sure the assembly area is firm, so the dust extractor does not tip over. Risk of personal and material injury.
-

Warning

- Risk of pinching when handling the toggle fastener.

Warning

- The machine must not be used in environments where explosive gases may be present. Serious risk of explosion.

Service

Warning

- Remove the plug from the wall socket when carrying out maintenance work. Risk of personal injury.

Warning

- Dust can be spread when the coarse filter and the absolute filter are replaced that can be dangerous to health. Accordingly, the user should wear protective glasses, protective gloves, and a breathing mask conforming to protection class FFP3.

Warning

- Do not puncture the absolute filter. Risk of dust dispersion.

Function

The machine is used for sucking and separating dry, non-combustible dust with an explosion limit value of $>0.1\text{mg}/\text{m}^3$.

The motor is started by the switch. Dust laden air is then sucked through the inlet valve at high speed via the suction hose. The air is slowed down by the cyclone and coarse dust particles are separated out, partly by centrifugal force and partly by gravity. Air and finer particles then pass through the tube filter where separation takes place. The machine is designed for filter cleaning by reverse air pulse.

The separated dust accumulates in the cyclone until the machine is switched off, when it drops through the bottom flap into the plastic bag.

Warning

Before starting the machine, check that the inlet valve is in the lower position.

Use

Before use, the user must be trained in the handling of the dust extractor and the hazardous dust.

Warning

Connect the electric plug to a power outlet with the correct voltage, see the nameplate.

Connect the electric plug to a power outlet with the correct voltage (see the designation plate).

The filter must be cleaned from time to time. This must be done before changing the plastic bag. It can also be done when the work is complete or when there is poor suction.

Procedure: Cover the inlet, let the machine build up vacuum for a few seconds then quickly push down on the top handle and release it. Repeat the procedure 4-5 times.

Turn of the motor and wait until it stops completely, then uncover the inlet.

If suction remains poor, the filter should be replaced.

The plastic bag may only be replaced after cleaning the filter.

The plastic bag must be tied up after removal.

Only use original parts.

Filter change

Risk of dust dispersion - Use of personal safety equipment

Unhealthy dust can be spread during filter change. Accordingly, the user should wear protective glasses, protective gloves, and a breathing mask conforming to protection class FFP3.

WARNING: Switch off the machine and pull the plug out of the socket.

Main filter

Loosen the two latches between the tank and the lower cyclone. Loosen the two latches at the hose connection between the tank and the absolute filter cover. Rotate the tank forwards. Rotate the filter plate counter clockwise 10 degrees and carefully turn filter and holder upside down. Place a plastic bag over the filter unit. Lift the filter carefully and pinch up the bag by hand and then tie the bag up. This bag must be properly disposed of.

Insert a new complete filter pack in reverse order. Only original filters may be used.

HEPA filter

Loosen the latches holding the filter cover and carefully lift the filter up and into a plastic bag. This bag must be properly disposed of. Insert new filters in reverse order.

Service

WARNING

Before cleaning and servicing the machine, you must switch the machine off and pull out the plug from the outlet.

- Avoid cleaning with a high pressure cleaner. If necessary, do not direct at the openings on the machine, especially the opening for the cooling air.
- Before moving the machine from the working area, the machine must be cleaned.
- All other equipment must be considered to be contaminated and be treated thereafter.
- If possible, use a special suitable room.
- Proper personnel protective equipment must be used.
- After a service, all parts that are contaminated must be taken care of properly in plastic bags, according to all regulations.
- If the vacuum cleaner has to be used for other purposes, it is extremely important that the vacuum cleaner is cleaned to avoid the spread of hazardous dust.

Accessories

Part no.	Description	No/machine
200600596	Filter package	1 ea (T7500/T8600)
201300436	Filter package	1 ea (T10000)
200700231	Filter package	1 ea (T15000,T18000)
200800006	Filter package without tensioner	1 ea (T15000,T18000)
200600595	MF5500 Hepa filter 100% DOP	4 ea (3 ea, T10000)
200600595	MF5500 Hepa filter 100% DOP	2 ea (T7500/T8600)
1376013	Longopac (4-pcs)	1 ea

For other spare parts, see the enclosed spare parts list.

Warranty

All Pullman Ermator devices and accessories have a 12-month factory warranty for material and manufacturing defects. When returning the attached warranty slip, the warranty extends to 36 months. Do not attempt to repair the suction apparatus without the consent of the manufacturer.

The warranty does not cover defects which are the result of normal wear and tear, negligence, defective use, unauthorised repair or the suction apparatus being connected to the incorrect voltage.

In the event of any complaint, the suction apparatus or an agreed part of it must be returned to us or our authorised representative for warranty examination and for any warranty repair or replacement.

Problem solving

The dust extractors are designed and manufactured for severe environments and tasks, but the user must note that the machine components must be protected from knocks and blows. Filter and sealing connections are carefully chosen for the environment of the operator. Therefore, the machine must be handled with care if it is to work correctly for many years.

Problem	Cause	Procedure
Motor does not start	No power Switch defective	Connect the machine Change
Motor stops immediately	Wrong fuse	Connect the correct fuse
Motor runs but there is no suction	Hose not connected Hose blocked No plastic bag	Connect the hose Clean the hose Install plastic bag
Motor runs but suction is poor	Damage to the hose Blocked filter Top cover loose Dirt in the flap Sealing defective	Change hose Change filter Adjust Clean the flap. <i>Use protective equipment</i> Change current seal
Dust blows from motor	Defective or loose filter	Adjust or change
Abnormal noise		Order service

SAVE THESE INSTRUCTIONS!

TECHNICAL DATA

	T7500	T8600
VOLTAGE	230 Vac, 3-phase 60 Hz	480 Vac, 3-phase 60 Hz
POWER	7500 W	8600 W
MAX AIRFLOW	600 m ³ /h 353 CFM	600 m ³ /h 353 CFM
MAX VACUUM	28 kPa (110" waterlift)	28 kPa (110" waterlift)
HOSE	15 m x Ø 76 mm	10 m x Ø 76 mm
	45" x Ø 3"	33" x Ø 3"
INLET	Ø 76 mm	Ø 76 mm
	Ø 3"	Ø 3"
MAIN FILTER	>99.5% Filter surface 2,9 m ² 4,1 sq'	>99.5% Filter surface 2,9 m ² 4,6 sq'
HEPA FILTER	HEPA H13 Filter surface 5 m ² 7,8 sq'	HEPA H13 Filter surface 5 m ² 7,8 sq'
SOUND LEVEL	74 dB(A)	74 dB(A)
DUST COLLECTION SYSTEM	Longopac	Longopac
DIMENSION LxWxH	1410 x 760 x 1730 mm 49" x 27" x 69"	1400 x 785 x 1800 mm 49" x 27" x 69"
WEIGHT	189 kg	189 kg

TECHNICAL DATA (continued)

	T10000	T15000	T18000
VOLTAGE	480 Vac, 3-phase 60 Hz	230 Vac, 3-phase 60 Hz	480 Vac, 3-phase 60 Hz
POWER	12600 W	15000 W	18000 W
MAX AIRFLOW	820 m ³ /h 480 CFM	1100 m ³ /h 647 CFM	1100 m ³ /h 647 CFM
MAX VACUUM	30 kPa (120" waterlift)	30 kPa (120" waterlift)	30 kPa (120" waterlift)
HOSE	15 m x Ø 76 mm 45" x Ø 3"	10 m x Ø 76 mm 33" x Ø 3"	10 m x Ø 76 mm 33" x Ø 3"
INLET	Ø 76 mm	Ø 102 mm	Ø 102 mm
	Ø 3"	Ø 4"	Ø 4"
MAIN FILTER	>99.5%	>99.5%	>99.5%
	Filter surface 3,9 m ² 6,1 sq'	Filter surface 4,9 m ² 7,6 sq'	Filter surface 4,9 m ² 7,6 sq'
HEPA FILTER	HEPA H13	HEPA H13	HEPA H13
	Filter surface 7,5 m ² 11,6 sq'	Filter surface 10 m ² 15,5 sq'	Filter surface 10 m ² 15,5 sq'
SOUND LEVEL	74 dB(A)	74 dB(A)	74 dB(A)
DUST COLLECTION SYSTEM	Longopac	Longopac	Longopac
DIMENSION LxWxH	1410 x 760 x 1730 mm 55" x 29" x 68"	1400 x 785 x 1800 mm 55" x 31" x 71"	1400 x 785 x 1800 mm 55" x 31" x 71"
WEIGHT	285 kg 630 lbs	335 kg 738 lbs	335 kg 738 lbs

**OM ÖVERENSSTÄMMELSE
DECLARATION OF CONFORMITY
DECLARATION DE CONFORMITÉ
ERKLÄRUNG DER ÜBERSTIMMUNG
SAMSVARSERKLØRING**

**Pullman Ermator AB
Industrivägen 10
S-777 34 SMEDJEBACKEN**

*Försäkrar under eget ansvar att maskinen
Declare under our sole responsibility that the machine
Certifie sous sa propre responsabilité que le produit ciaprès
Versichern auf eigener verantwortung, dass das Produkt
Forsikrer under eget ansvar at maskinen*

T7500	Nr./No: 0700492c0001-xxxx
T8600	Nr./No: 0600403a0001-xxxx
T10000	Nr./No: 1300425 0001-xxxx
T15000	Nr./No: 1300497 0001-xxxx
T18000	Nr./No: 0700508b0001-xxxx

Tillv.år/Manufact.year/Baujahr: The first two digits in the serial number shows first manufacturing year (i.e. T7500 0700492c0001-xxxx = Manufacturing year 2007-)

*som omfattas av denna försäkring är i överensstämmelse med standarder:
included in this declaration, follows the provisions of the:
est conforme aux aux normes suivantes:
den folgenden Normen entspricht:
er i overensstemmelse med standarder:*

**SS-EN 60335-1: 2002+A11+A1+A12+A2+A13+A14
SS-EN 60335-2-69:2009
SS-EN 61000-6-3:2007
SS-EN 61000-6-2:2005**

enligt villkoren i/according to/selon/laut/i henhold til vilkårene i
**Machine Directive 2006/42/EC
Low voltage Directive 2006/95/EC
EMC Directive 2004/108/EC**

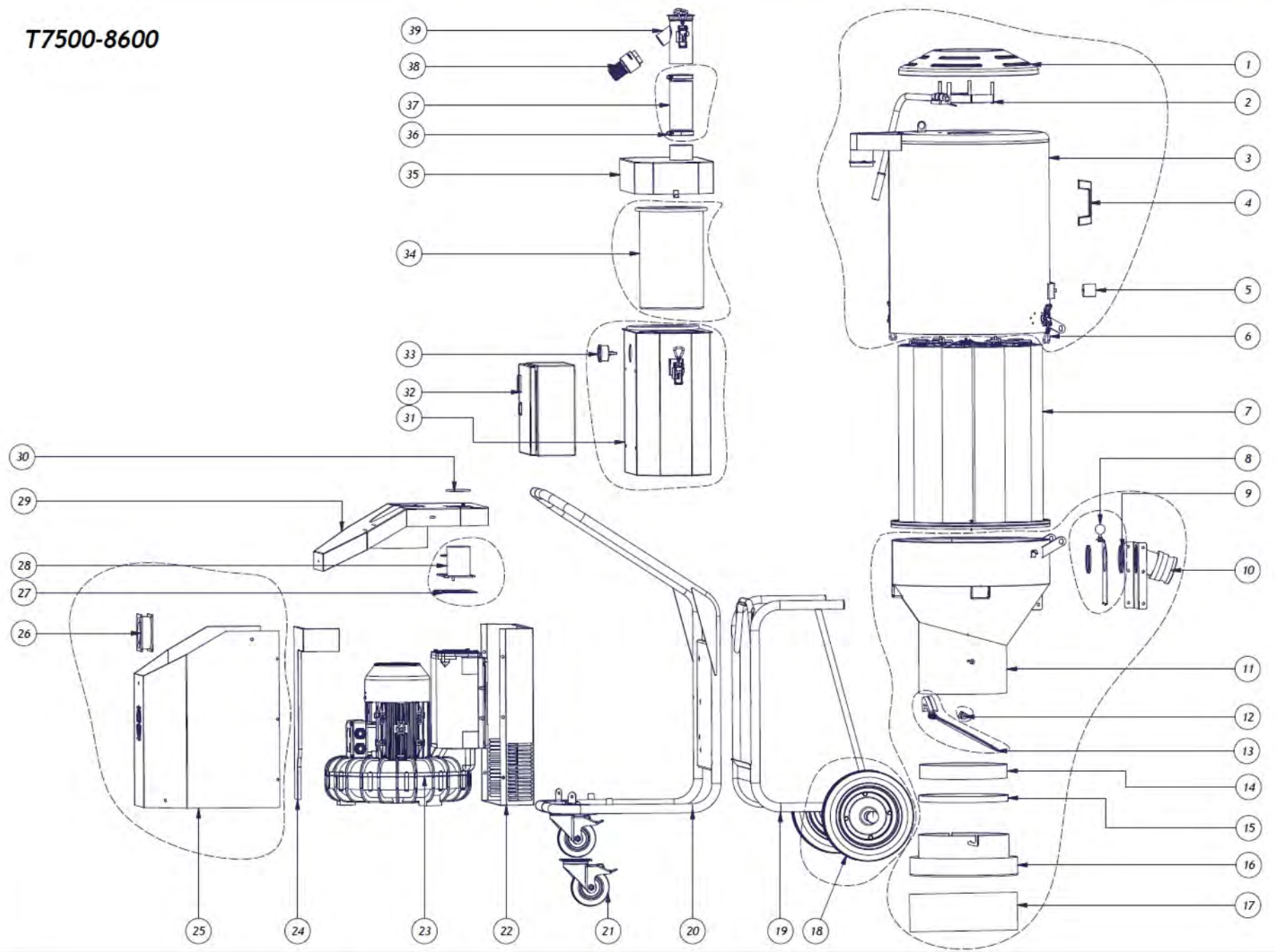
SMEDJEBACKEN 2006.01.01

Torbjörn Bengtsson

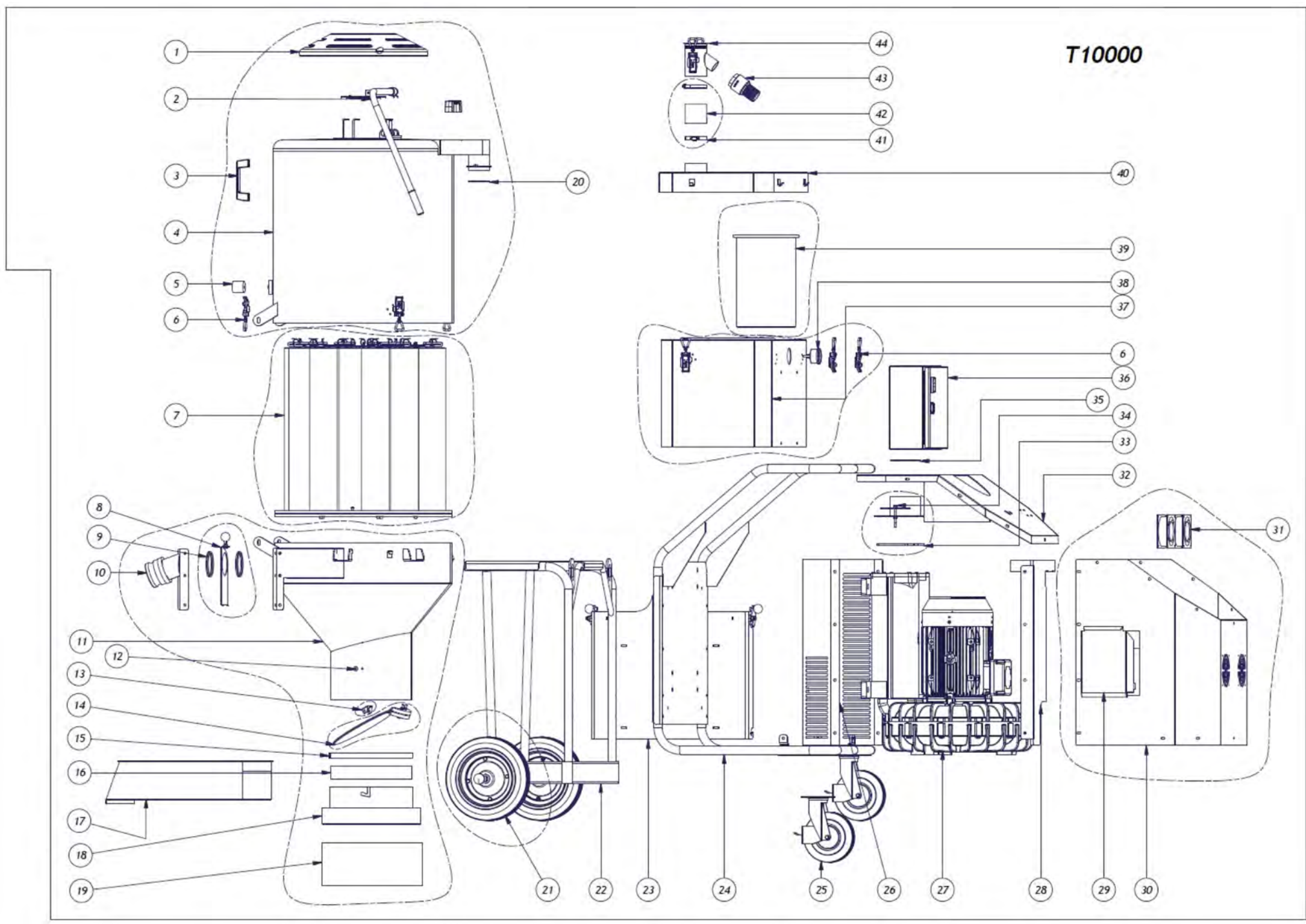
VD

General Manager

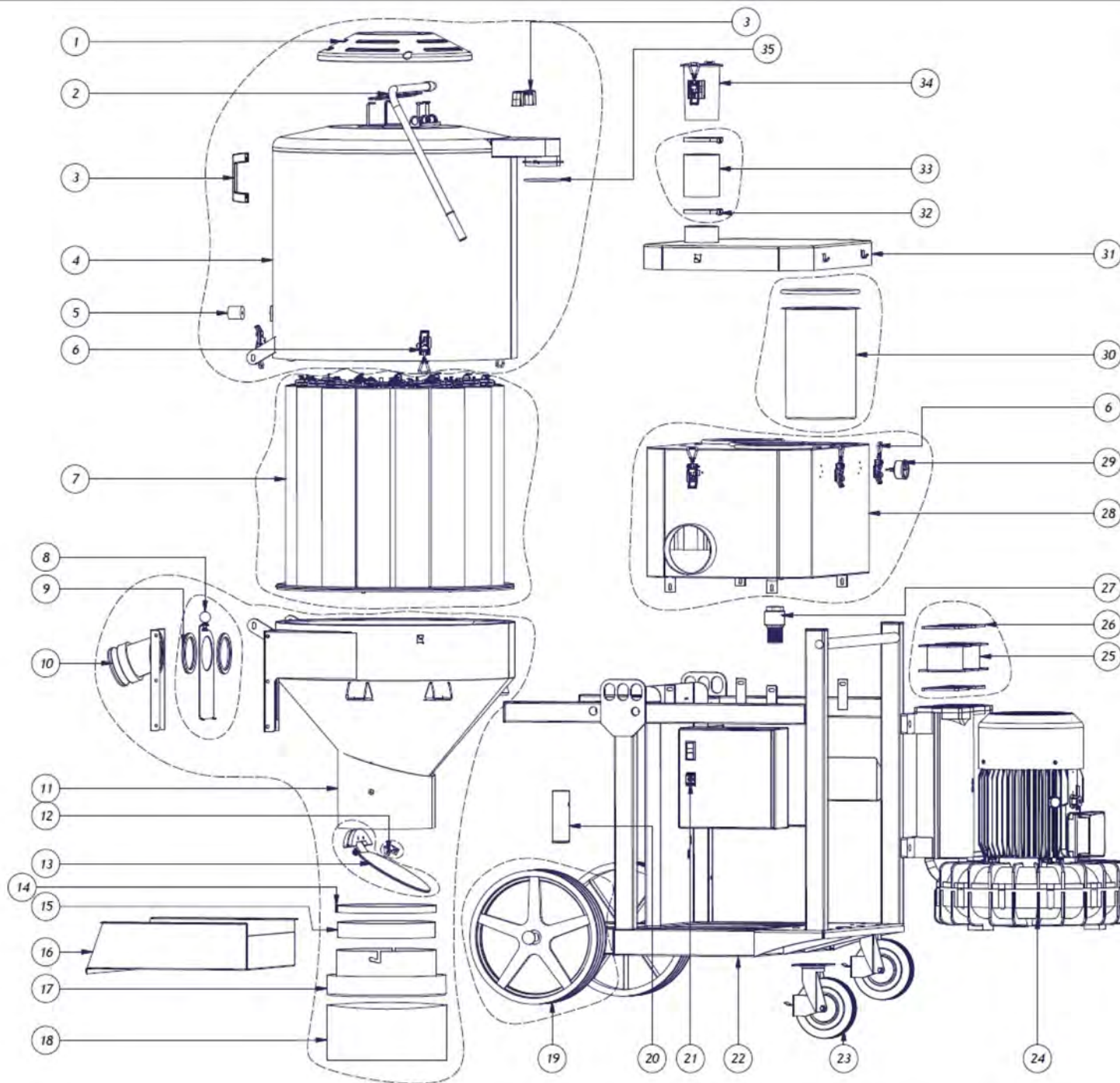
T7500-8600



T10000



T11000
T12600
T15000
T18000



Spare parts T7500/T8600

Pos	Qty	Part number	Description
1	1	200600656	Top cover
2	1	200600655	Filter cleaning unit
3	1	200600657	Tank complete
4	1	200600658	Handle
5	1	1370022	Rubber stop
6	5	200600606	Excentric lock kit
7	1	200600596	Filter package complete
8	1	200600652	Valve incl. gasket
9	2	9698+9699	Gasket for inlet valve
10	1	201000028	Inlet plate 3" camlock
11	1	200600620	Lower tank complete
12	1	25007	Holder flap
13	1	200600621	Flap complete
14	1	1351162	Anti skid
15	1	1371001	Belt
16	1	200600536a	Longopac holder
17	1	1376013	Longopac bag
18	2	201200062	Front wheel kit (1 wheel + cap)
19	1	200600720	Wagon front
20	1	200600719	Wagon rear
21	2	25320	Caster wheel
22	1	200600714	Back cover complete
23	1	200900046	VACUUM PUMP 3x230 V (T7500)
23	1	5352003	VACUUM PUMP 3x480 V (T8600)
24	1	200600713	Exhaust plate complete
25	1	200600712	Motor cover kit
26	1	1352060	Cooling fan motor cover
27	1	N/A	Contact Vendor
28	1	200600718	Vacuum pump inlet plate kit
29	1	200600717	Top cover
30	1	N/A	Contact Vendor
31	1	200600715	Hepa filter box kit
32	1	1262009	Electrical cabinet 7,5kW 230 V (T7500)
32	1	1262010	Electrical cabinet 8,6kW 480 V (T8600)
33	1	1349116	Manometer
34	2	200600595	Hepa filter H13 100% DOP tested
35	1	200600716	Top cover hepa filter box
36	2	1357072	3" hose clamp
37	0,15 (m)	1332039	Hose 3"
38	1	80683	Vacuum check valve
39	1	80830	Air regulator tube

Spare parts T10000

Pos	Qty	Part number	Description
1	1	200600656	Top cover
2	1	201500057	Filter cleaning unit (T10000)
3	1	200600658	Handle
4	1	201500056	Upper tank kit (T10000)
5	1	1370022	Rubber stop
6	5	200600606	Excentric lock kit
7	1	201300436	FILTER PACKAGE KIT (T10000)
8	1	200600652	Valve incl. Gasket kit
9	2	9698+9699	Gasket for inlet valve
10	1	201000028	Inlet plate 3" camlock
11	1	201500055	Lower tank kit
12	1	200800326	Nut for longpac holder on lower tank
13	1	25007	Holder flap
14	1	200600621	Flap complete
15	1	1371001	Belt
16	1	1351162	Anti skid
17	1	N/A	Contact Vendor
18	2	200600536a	Longopac holder
19	1	1376013	Longopac bag
20	1	1351239	O-ring 3"
21	2	201200062	Front wheel kit (1 wheel + cap)
22	1	N/A	Contact Vendor
23	1	201300490	HOLDER FOR PRE-SEP KIT (ex. T10000)
24	1	N/A	Contact Vendor
25	2	25046	Caster wheel
26	1	N/A	Contact Vendor
27	1	201500054	Vacuum pump 3x480 V (T10000)
28	1	N/A	Contact Vendor
29	1	N/A	Contact Vendor
30	1	N/A	Contact Vendor
31	2	1352060	Cooling fan motor cover
32	1	N/A	Contact Vendor
33	1	N/A	Contact Vendor
34	1	N/A	Contact Vendor
35	1	N/A	Contact Vendor
36	1	201500053	ELECTRICAL CABINET 12,6 kW 480 V (ex. T10000)
37	1	N/A	Contact Vendor
38	1	1349116	Manometer
39	3	200600595	Hepa filter H13 100% DOP tested
40	1	N/A	Contact Vendor
41	2	1357072	3" hose clamp
42	0,15 (m)	1332039	Hose 3"
43	1	80683	Vacuum check valve
44	1	80830	Air regulator tube

Spare parts T15000/T18000

Pos	Qty	Part number	Description
1	1	200600656	Top cover
2	1	200800005	Filter cleaning unit
3	1	200600658	Handle
4	1	200700513	Upper tank kit
5	1	1370022	Rubber stop
6	5	200600606	Excentric lock kit
7	1	200700231	Filter package complete
8	1	200800007	Valve incl. gasket
9	2	200700328	Gasket for inlet valve
10	1	201000080	Inlet plate 4" camlock
11	1	200700500	Lower tank kit
12	1	25007	Holder flap
13	1	200600621	Flap complete
14	1	1371001	Belt
15	1	1351162	Anti skid
16	1	200700269	Bottom plate
17	1	200600536a	Longopac holder
18	1	1376013	Longopac bag
19	2	200800016	Front wheel kit
20	1	200500220	Stripe holder
21	1	200700516	Electrical cabinet 11 kW 400 V (T11000)
21	1	201500057	Electrical cabinet 12,6/18 kW 480 V (T12600, T18000)
21	1	201500058	Electrical cabinet 15 kW 230 V (T15000)
22	1	N/A	Contact Vendor
23	2	25046	Caster wheel
24	1	2360	VACUUM PUMP 11 kW 400 V (T11000)
24	1	200700515	VACUUM PUMP 12,6 kW 480 V (T12600)
24	1	201500059	VACUUM PUMP 15 kW 230 V (T15000)
24	1	201500060	VACUUM PUMP 18 kW 480 V (T18000)
25	1	N/A	Contact Vendor
26	1	N/A	Contact Vendor
27	1	806831	Vacuum check valve
28	1	200800003	Hepa filter box kit
29	1	1349116	Manometer
30	4	200600595	Hepa filter H13 100% DOP tested
31	1	200700343	Top cover hepa filter box
32	2	201200533	4" Hose clamp
33	1	200800004	Hose 4" kit
34	1	200800062	Hose connection 4" female

