



OPERATION INSTRUCTION

Wet vacuum cleaner

W70P

**READ ALL INSTRUCTIONS BEFORE
USING**

Introduction

Dear Customer.

We thank you for choosing Ermator as your supplier.

We hope that the Wet vacuum cleaner from Ermator will be to your satisfaction and meet your expectations.

Ermator have been a manufacturer of professional dust extractors since 1967 and has over the years acquired a genuine technical knowledge in this area. We are working hard with improvement in our product segment and will continue to provide the market with new equipment.

Notice!

This instruction does only cover the wet vac type Ermator W70P.

The wet vacuum cleaner Ermator W70P are developed for cleaning of construction area, water cooled drilling machines etc.

If the wet vac is used for other applications or been used in other ways then explained in this instruction book, Ermator will not take any responsibility.

Before starting to use the machine, please read carefully the safety regulations.

Read the complete instruction book before start using the Ermator W70P.

All spare part used for the Ermator W70P must be recognized by Ermator AB.

Unpacking

When unpacking the machine, please check that the following accessories are included:

- The hose with end fittings.
- Steel tube.
- Floor nozzle.
- Crevice tool.

If some of above mention parts are missing, please contact your local distributor or our sales representative.

Safety instructions

Handling

Warning

- Cables damaged through crunching or cracking can be dangerous if used and should be replaced immediately. Risk of personal injury.

Warning

- Do not connect the machine to an unearthed socket. Risk of personal injury.

Warning

- Risk for pinch injuries when handling the toggle fastener.

Warning

- The machine must not be use in environments where explosive gases can occur. Large risk for explosions.

Warning

- Do not point the suction hose towards body parts when the machine is running. Avoid placing your hand or other parts of the body against the suction inlet if the suction hose is not fitted. Risk of personal injury.

Warning

- Check, when lifting the machine, that the dust container is empty and that no one is standing under the lifted machine. Risk for personal injury and material damage

Service

Warning

- Remove the plug from the wall socket when carrying out maintenance work. Risk of personal injury. Replace all gurds over the motor and fan components once servicing is complete.

Warning

- Health impairing dust can be spread during filter and bags replacement. Accordingly, the user should wear protective glasses, protective gloves, and a breathing mask conforming to protection class FFP3.

Function

The motor is started by the switch. Dust laden air is then sucked through the inlet valve at high speed via the suction hose. The air is slowed down by the cyclone and coarse dust particles are separated out, partly by centrifugal force and partly by gravity. Air and finer particles then pass through the fine filter where separation is made.

Use

Before using must the user be educated in handling the vacuum cleaner and the dust.

WARNING

Connect the electric plug to a power outlet with the correct voltage, see the nameplate.

From time to time the filter must be cleaned or replaced. It's appropriate when the work is completed or when there is poor suction.

Connect proper evacuation hose. Fix the free end of the hose.

Left switch:

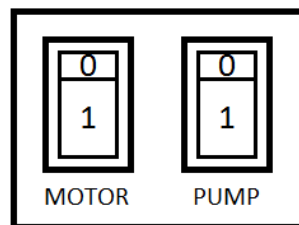
0: motor off

1: motor on

Right switch:

0: Pump off

1: Pump on



Fit the suction hose on the suction apparatus

There is a hose intake with a hose lock on the tank. Lift the hose lock and insert the suction hose's metal adapter into the intake. Lower the the hose lock into the recess of the adapter. The hose lock fixes the adapter in the hose intake and is lifted when the suction hose is to be removed.

Fit the nozzle on the hand pipe

The floor nozzle has adjustable wheels. Adjust the wheel setting so as to achieve the best suction effect. Adjust the wheels with the knob which is located on the rear side of the nozzle. The wheels and rubber strips of the nozzle are replaceable. Ensure that the nozzle is kept in good condition.

After use

Switch off the suction apparatus with the switch. Remove the plug on the electrical cable from the electrical outlet. Do not pull the electrical cable!

Empty and clean the suction apparatus and the accessories used. If necessary, the tank and accessories can be flushed clean.

Never leave water or wet dirt in the suction apparatus. This can cause bad smells and poor hygiene.

Change of filter

Risk of dust dispersion - Use of personal safety equipment

Unhealthy dust can be spread during filter change. Accordingly, the user should wear protective glasses, protective gloves, and a breathing mask conforming to protection class FFP3.

1. Remove the plug from the electric outlet.
2. Lift off the filterholder with the filter.
3. Loosen the fingernut and remove the filter cap and filter.
4. Check the sealing on the filterholder.
5. Assemble the new filter.
6. Clean all other parts.

WARNING

Switch off the machine and pull the plug out of the socket.

Service

WARNING

Before cleaning and servicing the machine, you must switch the machine off and pull out the plug from the outlet.

- Avoid cleaning with high pressure cleaner. If necessary do not point at the openings on the machine, especially the opening for the cooling air.
- Before moving the machine from the working area, the machine must be cleaned. Furthermore must the inlet be locked with the expanding plug attached.
- All other equipment must be regarded contaminated and be treated thereafter.
- If possible use a special suitable room.
- Proper personel protective equipment must be used.
- All parts after service, which are contaminated, must be taken care of in a proper way in plastic bags according to all regulations.
- If the vacuum cleaner has to be used for other purposes, it is extremely important that the vacuum cleaner will be cleaned, to avoid spreading of hazardous dust.

Accessories

Following is parts that should be changed on a regular basis:

Part.no.	Description	No/machine
1337019	400-2C C-filter	1 ea
4228007	TH55 Filter bag (5 pcs)	0,2 ea (Dry)
4228007a	TH55w Filter bag (5 pcs)	0,2 ea (Wet)

Spare parts, see enclosed spare parts list.

Warranty

All Pullman suction devices and accessories have a 12-month factory warranty for material and manufacturing defects. You can extend the warranty to 36 months by returning the attached warranty slip. Do not attempt to repair the suction apparatus without the consent of the manufacturer. The warranty does not cover defects which are the result of normal wear and tear, negligence, defective use, unauthorised repair or the suction apparatus being connected to the incorrect voltage.

In the event of any complaint, the suction apparatus or an agreed part of it must be returned to us or our authorised representative for warranty examination and for any warranty repair or replacement.

Problem solving

The W70P is designed and manufactured for severe environments and tasks, but the user must notice that the machine contents of components which must be protected from hits and blows. filter, sealings connections are carefully chosen to serve the operator. Therefore must the machine be treated with knowledge as to work correctly for many years.

Problem	Cause	Procedure
Motor doesn't start	No current Defect cable Defect switch	Connect the machine Change Change
Motor stops immediately	Wrong fuse	Connect to proper fuse
Motor runs, but no suction	Hose not connected Hose blocked	Connect the hose Clean the hose
Motor runs, but poor suction	Hole on the hose Blocked filter Suction unit loose Dirt in the hose or intake Defect sealings	Change hose Change filter Adjust Clean the hose and intake Change current sealing
Dust is blowing from motor	Defect or loose filter	Adjust or change
Poor pumping	The pump or tubes are choked up	Clean the pump
Abnormal noise		Order service

SAVE THESE INSTRUCTIONS!

TECHNICAL DATA

W70P	
VOLTAGE	120 Vac, 1-phase
MOTOR POWER	1300 W
PUMP POWER	650 W
MAX LIFTING HEIGHT	9 m
MAX SUCTION CAPACITY	290 l/min
MAX AIRFLOW	190 m ³ /h
MAX VACUUM	-22 kPa
HOSE	Ø 38- 50mm
INLET	Ø 50mm
MAIN FILTER	Filter surface 0.6m ² 99.5%
SOUND LEVEL	77 dB(A)
DUST COLLECTION SYSTEM	70 l disp. bag (580x780mm)
DIMENSION LxWxH	600x570x1250mm
WEIGHT	38 kg

FÖRSÄKRAN OM ÖVERENSSTÄMMELSE
DECLARATION OF CONFORMITY
DECLARATION DE CONFORMITÉ
ERKLÄRUNG DER ÜBERSTIMMUNG
SAMSVARSERKLØRING

Pullman Ermator AB
Industrivägen 10
777 34 SMEDJEBACKEN
Sweden

Försäkrar under eget ansvar att maskinen
Declare under our sole responsibility that the machine
Certifie sous sa propre responsabilité que le produit ciaprès
Versichern auf eigener verantwortung, dass das Produkt
Forsikrer under eget ansvar at maskinen

W70P

Nr./No: 1000033c0001-xxxx

Tillv.år/Manufact.year/Baujahr: 2010-

som omfattas av denna försäkring är i överensstämmelse med standarder:
included in this declaration, follows the provisions of the:
est conforme aux aux normes suivantes:
den folgenden Normen entspricht:
er i overensstemmelse med standarder:

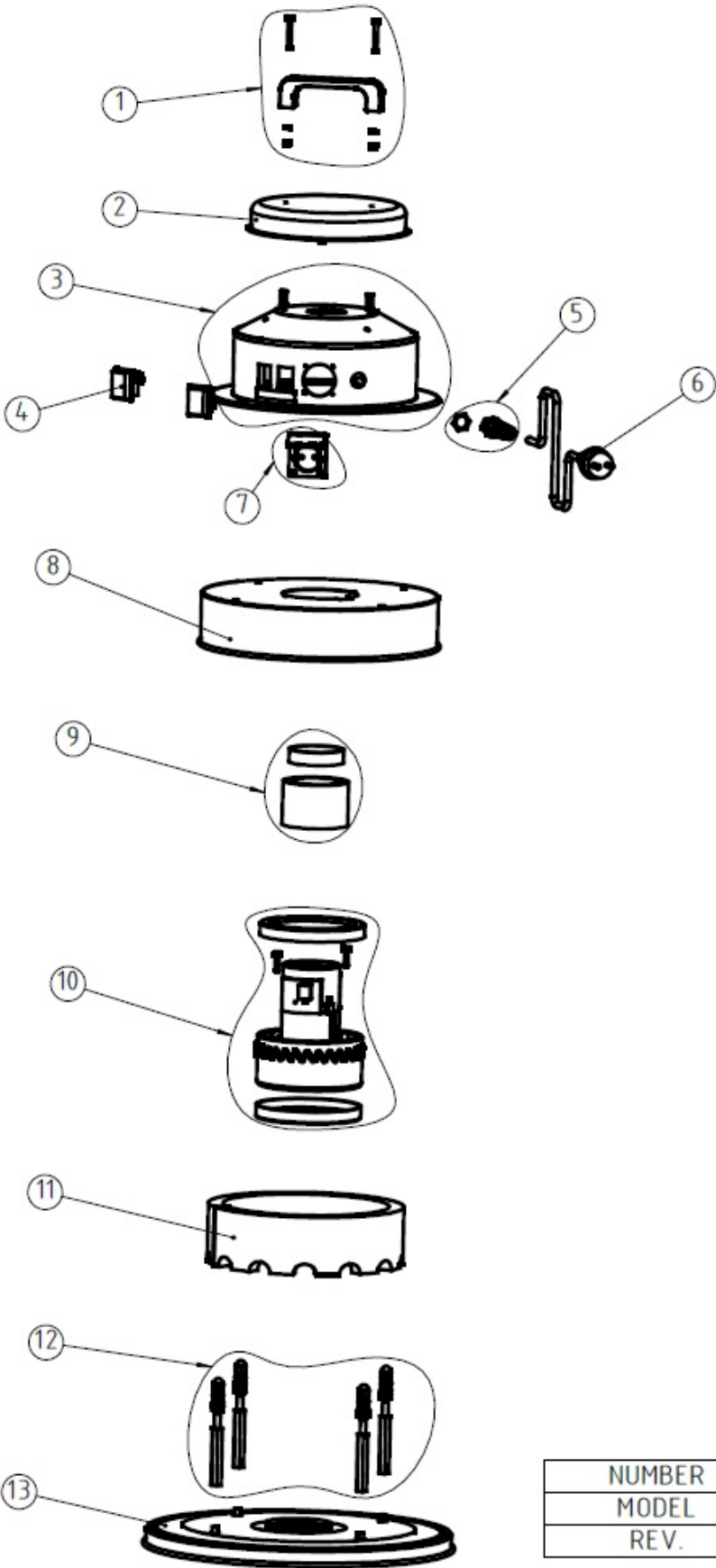
SS-EN 60335-1: 2002+A11+A1+A12+A2+A13+A14
SS-EN 60335-2-69: 2009
SS-EN 61000-6-3: 2007
SS-EN 61000-6-2: 2005

enligt villkoren i/according to/selon/aut/i henhold til vilkårene i
Machine Directive 2006/42/EC
Low Voltage Directive 2006/95/EC
EMC Directive 2004/108/EC

SMEDJEBACKEN 2010.01.01

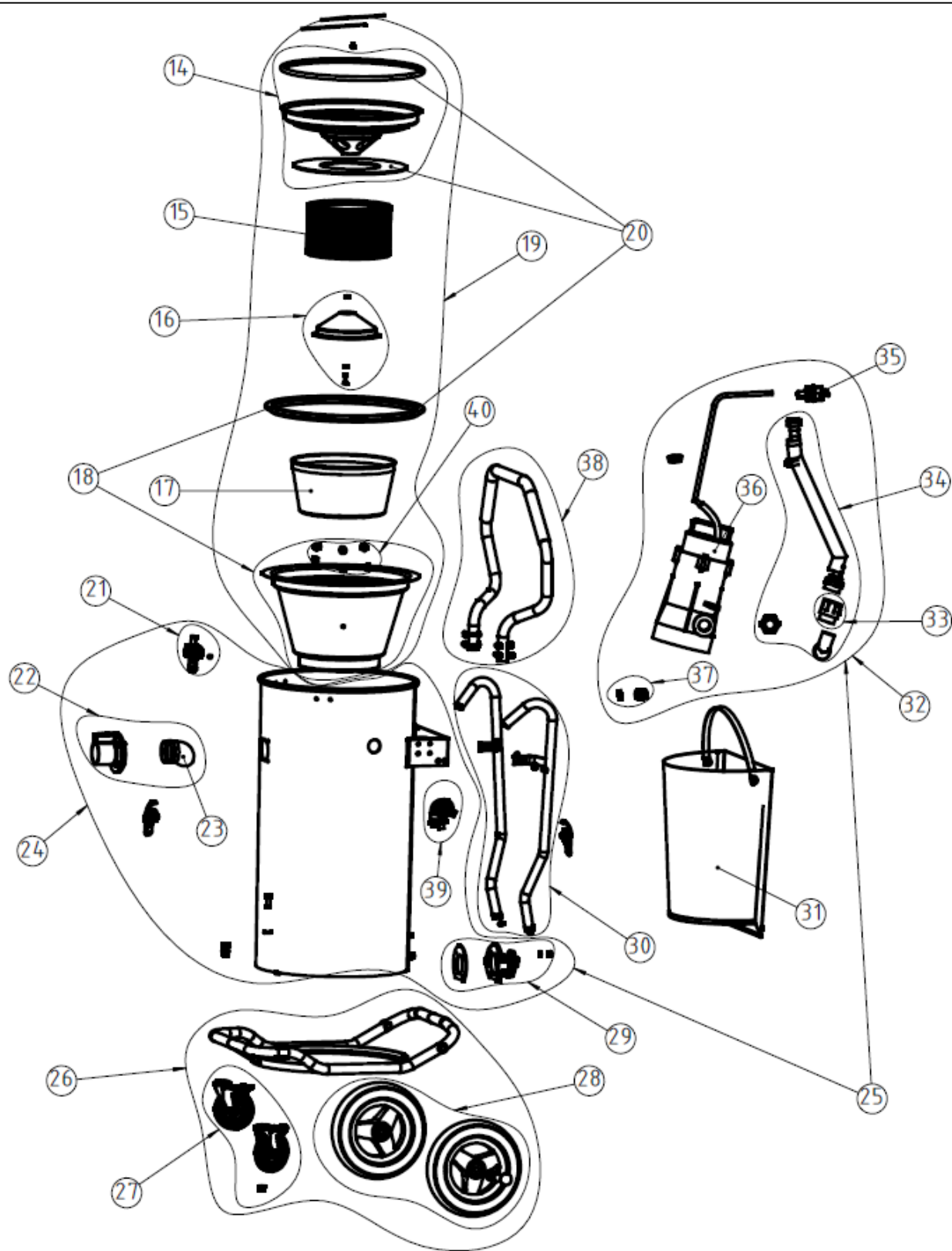
Torbjörn Bengtsson
VD
General Manager

W70P



NUMBER	201000033
MODEL	W70P
REV.	A-02

W70P



NUMBER	201000033
MODEL	W70P
REV.	A-02

W70P

POS.	QTY.	NUMBER	DESCRIPTION
1	1	200700318	HANDLE, KIT
2	1	200700319	CAP, COMPLETE
3	1	201100793	DOME, COMPLETE (ex. W70p)
4	2	201100151	SWITCH PACKING
5	1	201000141	CABLE FIX KIT (PG11)
6	1	201100132	CORD SET PACKING
7	1	200600408	ELECTRICAL OUTLET KIT
8	1	200700314	BLOWER CHAMBER, COMPLETE
9	1	200700313	SEALING, KIT
10	1	200700312a	MOTOR KIT 120 V
11	1	1351157	SOUND INSULATION
12	1	200700311	SPACER, KIT
13	1	200700310	CAN CAP, COMPLETE
14	1	201100785	TOP CAP FILTER COMPLETE
15	1	1337019	FILTER
16	1	201100786	FILTER CAP, KIT
17	1	201100787	FLOATING VESSEL KIT
18	1	200700305	CYCLONE, COMPLETE
19	1	1220005	COMBINED FILTER , COMPLETE
20	1	200700306	SEALINGS, KIT
21	3	200600799	HOLDER, KIT
22	1	1344002	TANK INLET, COMPLETE
23	1	1344012	SCOOP
24	1	201100795	TANK, COMPLETE WITHOUT PUMP (ex.W70p)
25	1	201100796a	TANK COMPLETE WITH PUMP 120 V(ex.W70P)
26	1	201100791	WAGON COMPLETE (ex.w70P)
27	1	200800152	FRONT WHEEL KIT
28	1	200800151	REAR WHEEL KIT
29	1	201100792	EXIT COVER KIT
30	1	200800147	SKID PROTECTION, KIT
31	1	201100797	GK70 KIT
32	1	201100798a	PUMP KIT 120 V
33	1	201100799	VALVE KIT
34	1	201100800	PUMP CONNECTION KIT
35	1	1362208	ELECTRICAL PLUG 15A 120 V
36	1	1347002	PUMP 106W 120V
37	1	201100802	CABLE FIX KIT
38	1	200800148	HANDLE, COMPLETE
39	1	201100803	HOSE COUPLING KIT
40	1	201100788	PLASTIC PLUG KIT

Notes

